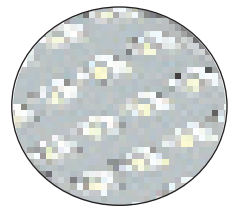


MODERN SEAGULL-CURVE DESIGN
UNIFORM LIGHT
FIELD SERVICEABLE
HIGH END COMPONENTS
THERMALLY PROVEN



At over 16 lbs (@120, 150, 200 Watt), the non-recycled heavy aluminum architectural grade NightShine II provides presence and elegance. Assembled and serviced in UL facility based in Alpharetta, Georgia using a modular design that offers best-practice servicing of LED fixtures; including a spacious driver box, quick connect wiring and plug & play field changeable light modules.

- *Rugged and simple “one-person install” system*
- *Superior footcandles uniformity*
- *Excellent thermal management*



TYPE II, III, IV, V
PHOTOCELL
MOTION/PIR SENSOR
IP66 FIXTURE
IP67 LIGHT MODULE
10KV SURGE
LUMILEDS 3030 CHIPS
BREATHING VALVE FOR
CHANGING HEAT CONDITIONS



PERFORMANCE

Product	Wattage	Replaces	Lumens*	Voltage, Driver	CRI	Op Temp
HLAR04	120	250-400W	5000k; 16,300 4000k; 15,400	100-277V, Sosen-120V-54B 277-480V, Inventronics ESD-150S350DT	74+	-40°C +55°C
	150	400W-600W	5000k; 20,100 4000k; 19,700	100-277V, Sosen SS-150V-54B 277-480V, Inventronics ESD-150S350DT		
	200	600W-750W	5000k; 27,300 4000k; 26,700	100-277V, Sosen SS-200V-54B 277-480V, Inventronics 240S660DT		
	240	750W-1000W	5000k; 32,400 4000k; 31,700	100-277V, Sosen SS-240V-54B 277-480V, Inventronics 240S660DT		
	320	1000W-1200W	5000k; 43,500 4000k; 42,200	100-277V, Sosen SS-320V-54B 277-480V, Inventronics 320S660DT		

* 3000k and 2700k available as special order

ORDERING

EXAMPLE **HLAR04-120-U-40K-5-D-SF**: 120 watt unit on a 120-277V line at 4000K, with T5 optics and slip fitter mount

Product	Wattage	Voltage	CCT	Optics	Fixture Color	Mounting	Controls
HLAR04	120	U (120-277)	50K 5000K	2 T2*	D Dark Bronze	TRU Trunnion	Blank None
	150	H (277-480)	40K 4000K	3 T3	W White*	SF Slip Fitter	P Photocell
	200		30K 3000K*	4 T4*	B Black*	SP Pole Mount (square)	P2 Smart Photocell
	240		27K 2700K*	5 T5		RP Pole Mount (round)	M PIR Motion
	320						C Surge

- * Special Order
- Back & side shields available upon request

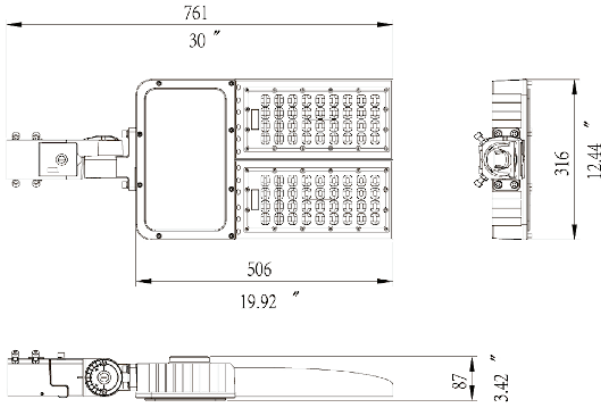
HiLUMZ USA

1335 Ridgeland Parkway
 Suite 150
 Alpharetta, GA 30004

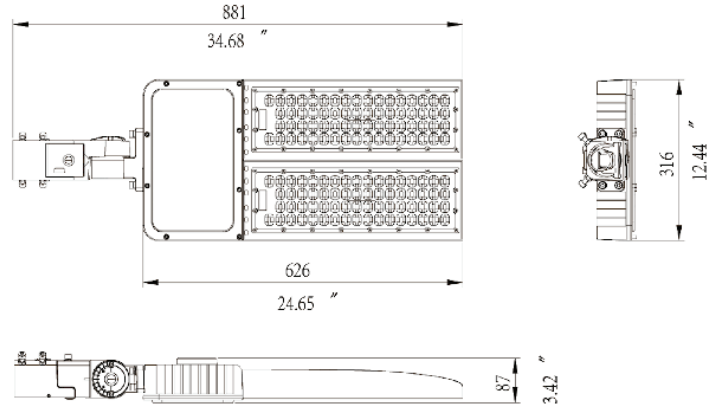
sales@hilumzusa.com
 678-867-9200
 HiLumzPRO.com

DIMENSIONS & WEIGHT

120, 150, & 200 Watt Unit

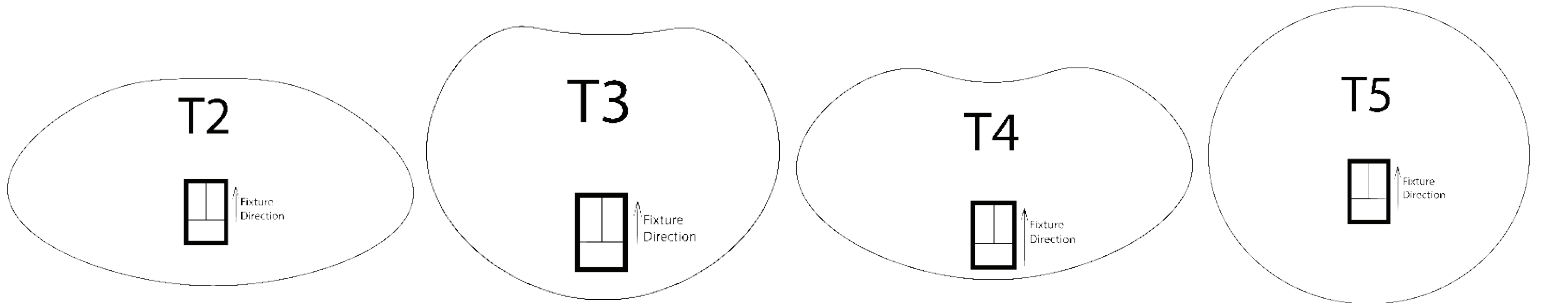


240 & 320 Watt Unit



	120-200 Watt	240-320 Watt
Net Weight	16.7 lbs	20.0 lbs
Gross Weight (with mount)	20.0 lbs	23.3 lbs
EPA Rating	0.47	0.54
Product Dimensions (with slip fitter mount)	29.9 x 12.4 x 3.4 (in)	34.7 x 12.4 x 3.4 (in)
Carton Dimensions	29.1 x 14.5 x 84 (in)	33.8 x 14.5 x 8.4 (in)

OPTICAL DISTRIBUTION



LEFT & RIGHT THROW

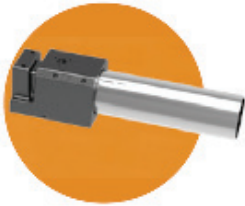
FORWARD FAR THROW
LIMITED BACKLIGHT

FORWARD & WIDE THROW
LIMITED BACKLIGHT

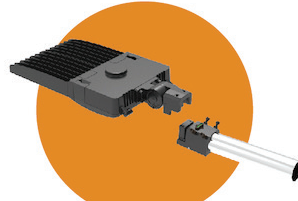
ALL DIRECTION THROW

PHOTOMETRIC SERVICES AVAILABLE

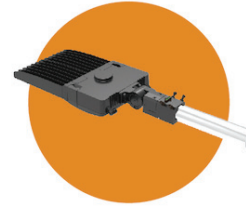
MOUNTING





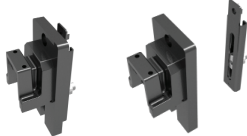

Step 1:
Install Selected Mount

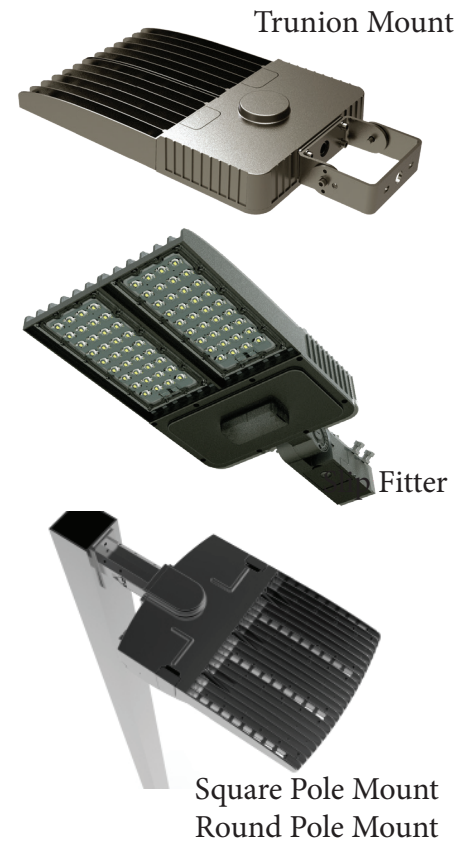


Step 2:
Attach Fixture



Step 3:
Wire to A/C using wire box
Secure mount with bolts

Application	Mount	Image	Mount Name Code
Wall or Ceiling	Trunion Mount		TRU
Bull Horn, Pole Top	Slip Fitter		SFA (2 3/8" tenon) SFB (1 2/5" tenon) SFD (3.0" tenon)
Square Pole Side Mount	Square Pole		SP
Round Pole Side Mount	Round Pole		RP



CONTROLS

Application	Description	
On/Off Photocell	P	Dust and Dawn Sensor for on/off
Virtual Midnight Smart Night Photocell	P2	Dust/Dawn sensor with timer for ON during business hours and dimming from then until 5am
PIR Motion	M	Bi-level dimming with motion sensor
Custom Controls	Drivers are 0-10V dimming enabled; HiLumz can install and provision any customer preferred control system	

HiLUMZ USA

1335 Ridgeland Parkway
 Suite 150
 Alpharetta, GA 30004

sales@hilumzusa.com
 678-867-9200
 HiLumzPRO.com